

# TEAC

## SERVICE MANUAL

---

### CT-M340 MKII

14" CTV

---

NOTE: CTM340 = CTM341



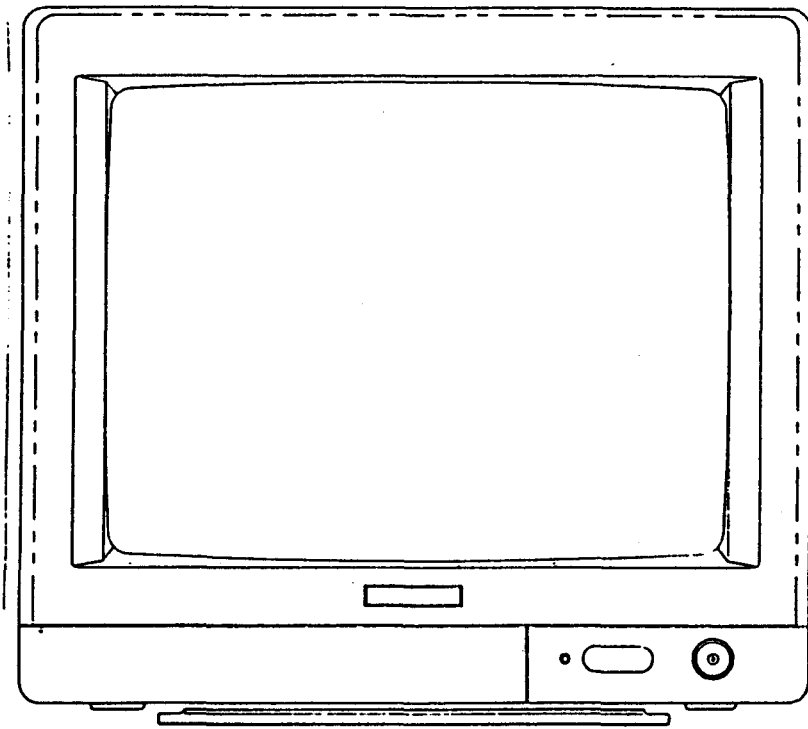
28/12

Effective: SEPTEMBER, 1995.

CTM340MK2SERV

# SERVICE MANUAL

SOLID STATE  
14" Color Television  
Receiver



MODEL : GT-9313

PAL - B/G

SGS IC

SPECIFICATION

SYSTEM	:	PAL-B/G	
DESTINATION	:		
CHANNEL	VHF LOW	:	2 - 4 CI
COVERAGE	VHF HIGH	:	5 - 12 CI
	UHF	:	21 - 69 CI
	FREQUENCY RANGE		
	VHF LOW	:	48.25 - 62.25 MHz
	VHF HIGH	:	175.25 - 224.25 MHz
	UHF	:	471.25 - 855.25 MHz
SCANNING	LINES	:	625 LINES
	HORIZONTAL	:	15625 Hz
	VERTICAL	:	50 Hz
IF FREQUENCY	VIDEO	:	38.9 MHz
	SOUND	:	33.4 MHz
VISION/SOUND SEPARATION	:	5.5 MHz	
SENSITIVITY	VHF LOW	:	32 uV
	VHF HIGH	:	56 uV
	UHF	:	80 uV
OUTPUT POWER MAXIMUM		:	1300 mW
	10% THD	:	1000 mW
CRT	:	14" (35.5cm) DIAGONAL, 22.5 mm NECK DIAMETER 90° DEFLECTION ANGLE	
SPEAKER	:	3" 16 OHM 2W	
ANTENNA IMPEDANCE	:	75 OHM	
POWER CONSUMPTION	:	60 Watts	

# VIF ALIGNMENT

## A. Preparation Step (See Fig. 1)

- (i) Connect AGC bias voltage to TP101, the DC supply should be turned off this time.
- (ii) Connect 14V B+ bias voltage to D404 (-) and Ground.
- (iii) Connect 14V B+ to Q401 'C'.
- (iv) Connect sweep generator to tuner test point and Ground.
- (v) Connect waveform detector to TP106 and Ground.

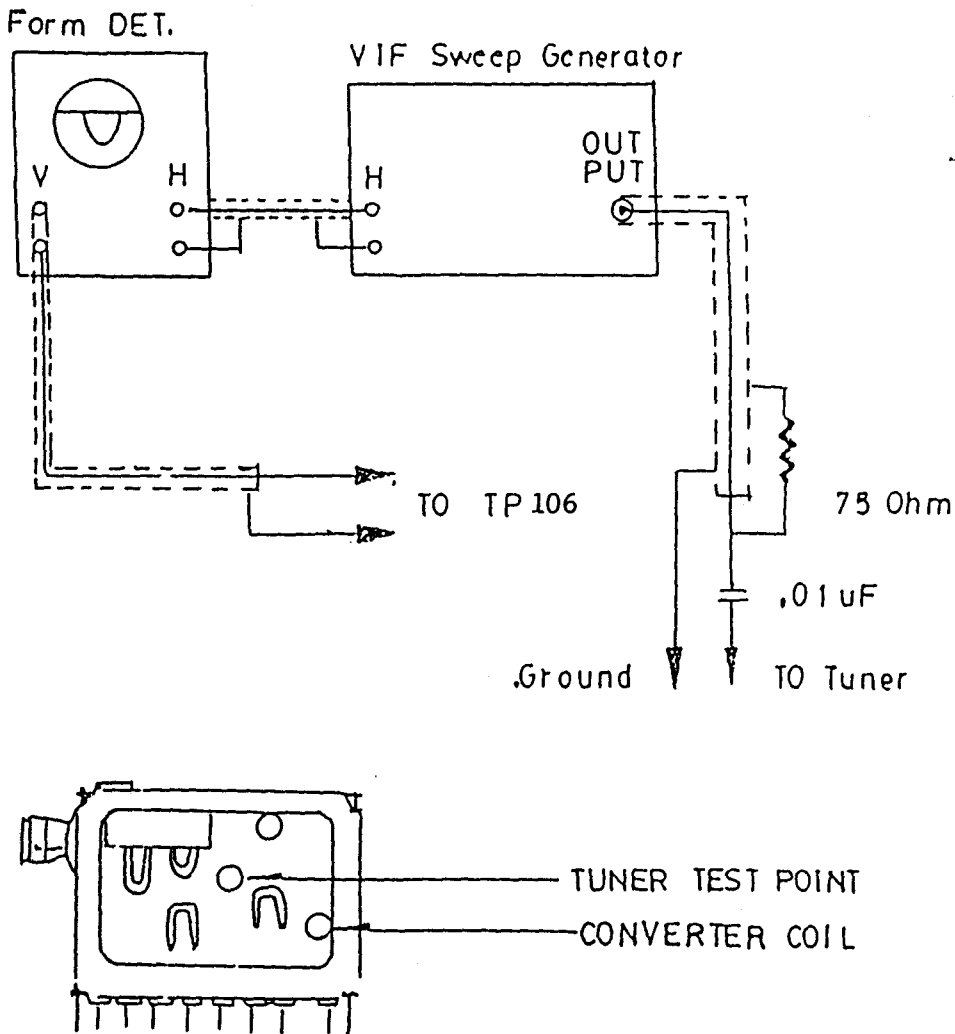


Fig. 1

3. Tank Coil Alignment Step (See Fig. 2)

- (i) Calibrate the Division of waveform Detector equal to 100 mV per div.
- (ii) The output of sweep generator should be -50dB.
- (iii) Adjust AGC bias until the output waveform equal to 1V p.p. (10 div.)

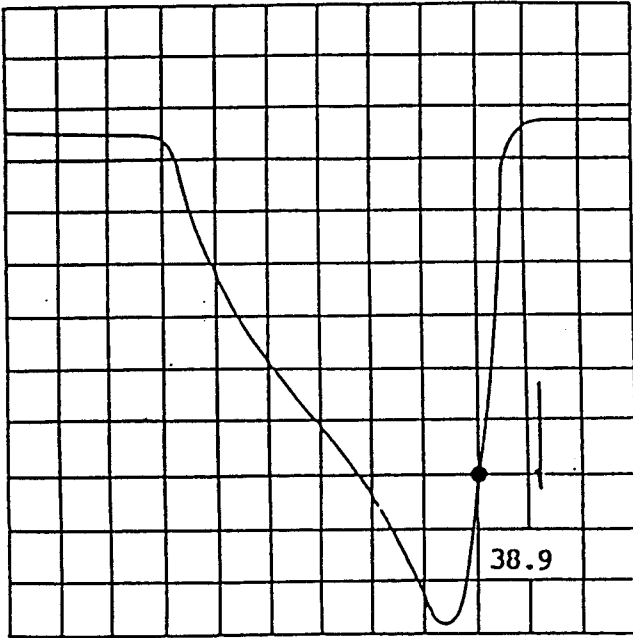


Fig. 2

- (v) Turn T101 until the marker 38.9MHz falls to the lowest point as Fig.2.

1. VIF Alignment

- (i) Connect 100 ohm resistor between TP103 and TP104.
- (ii) Adjust T104 until obtain the maximum waveform amplitude. (If Provided.)
- (iii) Adjust AGC bias, and maintain the waveform achieve 1V pp.

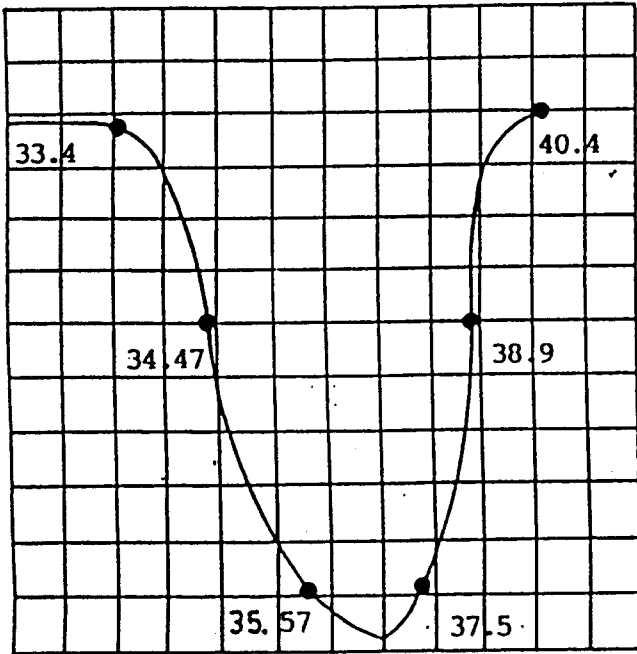


Fig.3

D. AFC Alignment

- (i) Remove the 100 ohm resistor from TP103 and TP104.
- (ii) Connect the waveform detector to TP102. The output of sweep generator should be -50dB.
- (iii) Adjust AGC bias to obtain waveform as Fig. 4.
- (iv) Adjust T103 to obtain waveform as Fig.4.

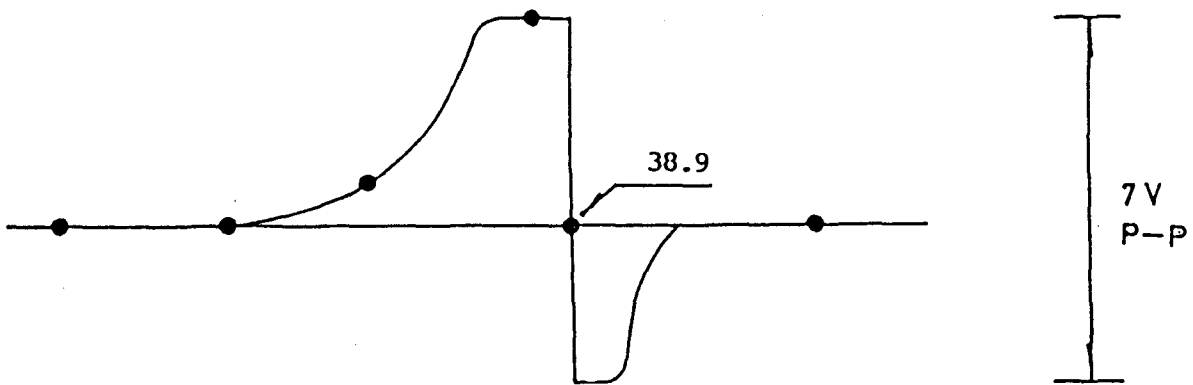


Fig.4

## B. SIF Alignment

- (i) Connect the sweep generator to TP105.
- (ii) Connect waveform detect to TP106.
- (iii) The output of sweep generator should be  $-20\text{dB}$ .
- (iv) Adjust T102 to obtain the waveform as Fig.5.

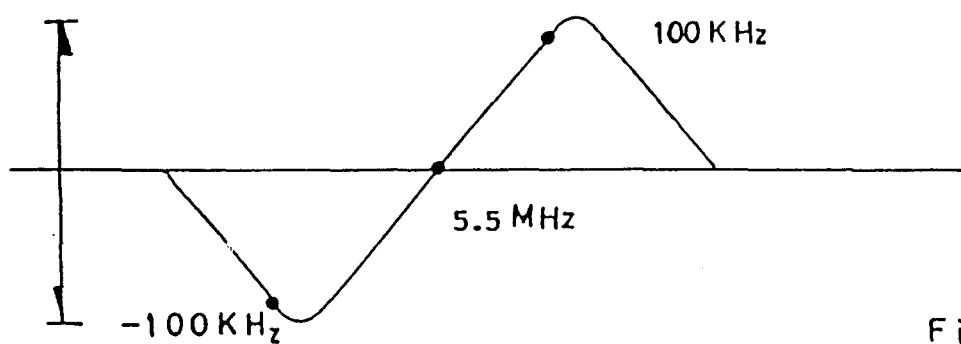


Fig.5



#### B+ ADJUSTMENT

- 1) Connect a digital volt meter to TPB+ and ground.
- 2) Set Brightness, contrast and colour to maximum.
- 3) Adjust VR901 and obtain a reading of 112V.

#### HORIZONTAL CIRCUIT ADJUSTMENT

- 1) Receive Monoscope Pattern input signal 80dBuV.
- 2) Connect terminal 20 PIN of IC401 and the ground with the Mylar Cap. 0.1 MFD.
- 3) Adjust VR404 to obtain the picture running at center.
- 4) Adjust VR405 to obtain the picture at center.

#### VERTICAL CIRCUIT ADJUSTMENT

- 1) Receive the Monoscope Pattern.
- 2) Adjust V-size (VR 402) to obtain a normal picture.
- 3) Adjust V-HOLD. (VR401)

#### WHITE BALANCE ALIGNMENT STEP

- (deguss the picture by deguassing coil if necessary)
- 1) Turn the brightness, contrast and picture control to minimum value.
  - 2) Turn VR501,502,504 to middle position. Turn VR503,505 to middle position.
  - 3) Turn VR303 to middle position.
  - 4) Receive a black and white pattern.
  - 5) Connect a digital meter between G2 and Ground on CRT Board.
  - 6) Adjust screen volume on FBT to obtain a 310V. (impedence of digital meter should be 10M)
  - 7) Adjust VR501,504,503,505 to make the picture uniformly white. (9300°K)

#### SUB-BRIGHTNESS ALIGNMENT

- 1) Receive a colour bar pattern.
- 2) Turn the brightness, contrast and colour to minium.
- 3) Adjust VR303 until the brightest bar can just be seen..

#### FOCUS ALIGNMENT

- 1) Set the brightness and contrast to middle position.
- 2) Receive a monoscope pattern.
- 3) Adjust focus control to obtain sharpest picture.

#### AGC ALIGNMENT

- 1) Receive CH69 (UHF) and input field strength in 63dB ±3dB input.
- 2) Adjust VR101 to the point where noise is disappeared.

## PAL COLOUR ALIGNMENT

- (1) Receive Philips Pattern.
- (2) Connect Oscilloscope to T301.
- (3) Set color control to maximum position.
- (4) Adjust T301 and VR302,307 to obtain the waveform as Fig.6.
- (5)

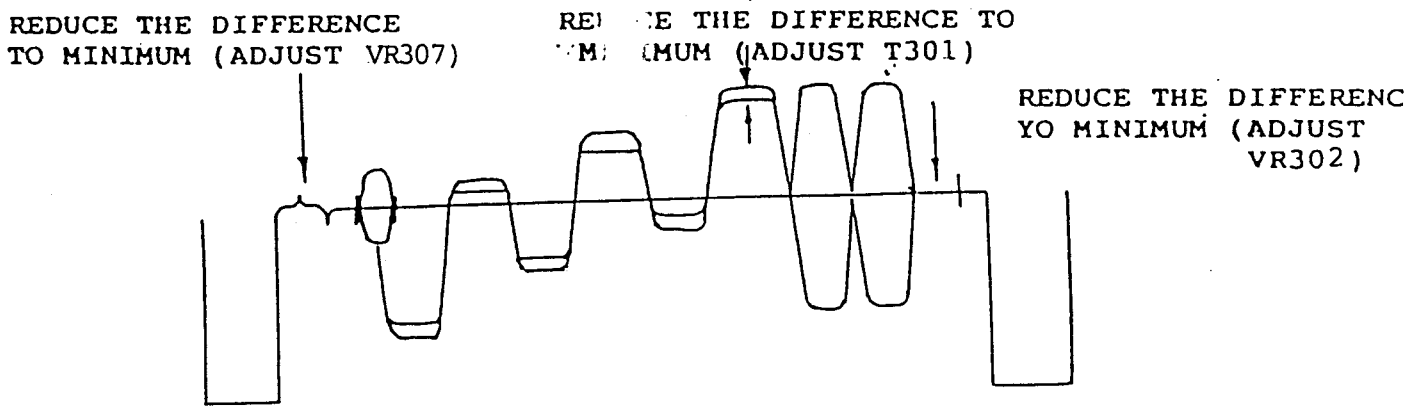


Fig.6

VOLTAGE TABLE FOR IC

SYMBOL PIN NO.	IC 101 (V)	IC 201 (V)	IC 301 (V)	IC 401 (V)
1	0.49	GND	2.7-3.6	8.72
2	3	7.1	6.8	2.2
3	8.5	15	2.8	25
4	GND	14.65	1.2	8
5	3.6	1.15	1.6-2	GND
6	3.6	6.8	2	GND
7	GND	3-7.15	8.5	0.5
8	2.6	2.75	2.6	0.17
9	3	GND	1.5-4.5	25
10	5.9		2.6	13.5
11	2.9		GND	4.56
12	2.9		2.1	4.51
13	GND		6.25	2.17
14	2.9		3.45	2.35
15	6		GND	GND
16	3.2		4.3	GND
17	0.1		3.56	1.47
18	4.7		3.49	1.46
19	4.7		3.37	1.21
20	3.5		8.5	2.2

NOTE: VOLTAGE ARE TAKEN UNDER TUNED CONDITION WITH

CONTRAST : Maximum Position  
 BRIGHTNESS : Maximum Position  
 COLOR : Maximum Position  
 SIGNAL INPUT : 80 dBuV  
 CHANNEL SETTING : The Last Channel of UHF High  
 SIGNAL PATTERN : Colour Bar

VOLTAGE TABLE FOR IC

SYMBOL PIN NO.	IC 601		IC 701		
	(V)		(V)		
1	0		0		
2	0		2.6		
3	0		2.6		
4	0		2.6		
5	4.7		2.6		
6	4.7		2.6		
7	4.7		2.6		
8	4.7		2.6		
9	4.7		0		
10	GND		0		
11	0.5		2.6		
12	0.5		0		
13	0.5		0		
14	0.18		0		
15	2.5		0		
16	GND		0		
17	4.4		0		
18	5.46		0		
19	4.4		0		
20	GND		2.6		
21	4.4				
22	4.4				
23	4.4				
24	4.7				
25	1.8				
26	2.6				
27	4.7				
28	4.7				
29	0				
30	0.2				
31	0.2				
32	0.2				
33	4.2				
34	4.7				
35	0				
36	0-4.6				
37	0-2.3				
38	0-2.6				
39	4				
40	4.7				

NOTE: VOLTAGE ARE TAKEN UNDER TUNED CONDITION WITH

- CONTRAST : Maximum Position
- BRIGHTNESS : Maximum Position
- COLOR : Maximum Position
- SIGNAL INPUR : 80 dBuV
- CHANNEL SETTING : The Last Channel of UHF High
- SIGNAL PATTERN : Colour Bar

VOLTAGE TABLE FOR TRANSISTOR

	B (V)	C (V)	E (V)		B (V)	C (V)	E (V)
Q001	4.1	12.4	3.5	Q506	2.2	8.5	3.5
Q002	4.8	0	8.9	Q603	5.4	14	4.7
Q003	2.4	0	3.1	Q604	0	4.7	0
Q004	0.1	8.2	0	Q608	0.6	0	0
Q005	0.9	6.8	0.3	Q609	0	4.7	4.4
Q101	11.6	12.3	12.4	Q701	0	2.6	0
Q102	11.6	12.3	12.4	Q702	2.6	-1.8	2.6
Q103	11.6	12.3	12.4	Q901	9.1	12.9	8.4
Q104	1.1	9	0.3	Q903	0	1.2	0
Q105	0	7	0	Q904	-2.5	291	0
Q106	0.6	0-31	0	Q905	112	112	111
Q107	3.1	8.2	2.5	Q906	111	112	112
Q201	16.1	15.6	15.4	Q907	5.4	0	1.7
Q401	10.2	15.6	8.8				
Q402	0	79	0				
Q403	0	111	0				
Q501	3.6	118	3				
Q502	3.6	105	3				
Q503	3.4	122	2.8				
Q504	2.2	8.5	3.5				
Q505	2.2	8.5	3.5				

NOTE: VOLTAGE ARE TAKEN UNDER TUNED CONDITION WITH

CONTRAST : Maximum Position  
 BRIGHTNESS : Maximum Position  
 COLOR : Maximum Position  
 SIGNAL INPUT : 80 dBuV  
 CHANNEL SETTING : The Last Channel of UHF High  
 SIGNAL PATTERN : Colour Bar

PROGRAM ID : TVSTDCST  
Print Date : 06/10/95  
Page Number : 1

<< B.O.M. TV STANDARD PRICE LIST FOR CUSTOMER >> - CURRENCY (USD)

PRODUCT CODE : 931374-I00002-GT

DESCRIPTION : 9313A-1 TEAC PAL/BG W/AV IN 426U GREY 240V SAF

ASSEMBLY NUMBER	DESCRIPTION
155-000100-04-00	COMMON PART FOR HANDSET ASS'Y (SGS IC)
155-000100-04-03	NON-COM PART FOR HANDSET ASS'Y
158-931374-I0-00	COMMON PART FOR CHASSIS ASS'Y (BG)
158-931374-I0-02	NON-COM PART FOR CHASSIS ASS'Y (BG)1-SPK
159-931374-I0-00	COMMON PART FOR CASING ASS'Y (BG)
159-931374-I0-03	NON-COM PART FOR CASING ASS'Y(426U GREY)
163-931374-I0-03	NON-COM PART FOR PACKING ASS'Y (BG)

\*\* THIS SPARE LIST IS MADE FOR TECHNICAL / MAINTENANCE REFERENCE ONL

Component Part	Description / Location	Unit	Subs	Quantity Required	Unit Price	Amc
*** ASSEMBLY : 155-000100-04-00 COMMON PART FOR HANDSET ASS'Y (SGS IC)						
107-800455-46	455K HZ RESONATOR CSB455EB X701		MURATA			
113-100005-17	CARBON FILM RESISTOR 10 OHM R701	1/16W		+5%		
113-103005-17	CARBON FILM RESISTOR 10K OHM R703	1/16W		+5%		
113-229005-17	CARBON FILM RESISTOR 2.2 OHM R702	1/16W		+5%		
113-330005-17	CARBON FILM RESISTOR 33 OHM R704	1/16W		+5%		
123-101350-60	CERAMIC CAP. 100 PF 50V +-10% (SL TYPE) C702.703					
127-476042-03	ELECT. CAP. 47 MFD 16V +-20% C701					
130-134148-01	SILICON DIODE IN4148 D701.702					
130-600101-00	INFRARED EMITTER EL-1L1 LED 701		KODENSHI			
131-210719-29	TRANSISTOR ZSA719R/S Q702		MATSUSHITA			
131-230945-00	TRANSISTOR ZSC945 NEC Q701					
133-830041-31	IC M3004LAB1 (SGS) IC701					
172-626010-42	UL 1007 TOP COAT WIRE AWG 26 100MM RED 10 X 10MM FOR REMOTE P.C.B. '+' TO BATTERY CONTACT PLATE '+'					
172-626012-40	UL 1007 TOP COAT WIRE AWG 26 120MM BLACK 10 X 10 MM FOR REMOTE P.C.B. '-' TO BATTERY CONTACT PLATE '-'					
172-726000-99	BARE WIRE 54MM W701.702					
190-921306-02	REMOTE P.C.B.					
773-921301-00	BATTERY CONTACT PLATE (+)					
773-921302-00	BATTERY CONTACT PLATE (-)					
773-921303-00	BATTERY CONTACT PLATE (+VE,-VE) W/NICKEL PLATING					
964-921301-01	SENSOR LENS					

Component Part	Description / Location	Unit Subs	Quantity Required	Unit Price	Am
----------------	------------------------	-----------	-------------------	------------	----

\*\*\* ASSEMBLY : 153-000100-04-03 NON-COM PART FOR HANDSET ASS'Y

514-260410-00 SELF-TAPPING SCREW 2.6 X 10 B/T (HARDEN)

CAB. MTG.

849-921302-00 CONTACT RUBBER KEY PAD (24 KEYS)

892-921302-04 DIAL KEY PLATE - ENG STD (24 KEYS) "47 PROG."

900-921310-29 HANDSET TOP CABINET - TEAC (A) DESIGN (RC-522)

902-921310-01 HANDSET BOTTOM CABINET - BLACKMOULDED (3A)

910-921301-01 BATTERY DOOR (3A)



Component Part	Description / Location	Unit Subs	Quantity Required	Unit Price	Am
*** ASSEMBLY : 158-931374-10-00 COMMON PART FOR CHASSIS ASS'Y (BG)					
001-214189-05	FLYBACK TRANSFORMER 154-189H GOLDSTAR "FOR CAIHONG CRT"				
	T402				
012-102340-06	SEMI-FIXED RESISTOR EVND8AA 03813 1KB				
	VR901				
012-103340-06	SEMI-FIXED RESISTOR EVND8AA 03814 10KB				
	VR101				
012-202340-06	SEMI-FIXED RESISTOR EVND8AA 03823 2KB				
	VR302				
012-203340-06	SEMI-FIXED RESISTOR EVND8AA 03824 20KB				
	VR404.405				
012-204340-06	SEMI-FIXED RESISTOR EVND8AA 03825 200KB				
	VR303.401				
012-301330-06	SEMI-FIXED RESISTOR EVND2AA 03832 300B				
	VR503.505				
012-501340-06	SEMI-FIXED RESISTOR EVND 8AA 03852 500B				
	VR402				
012-502330-06	SEMI-FIXED RESISTOR EVND2AA 03853 5KB				
	VR501.502.504				
012-502340-06	SEMI-FIXED RESISTOR EVND8AA 03853 5KB				
	VR307				
013-100001-02	GLASS DELAY LINE (ADVANCE MOTION/WEI HAW YCS-EN645A)				
	DLY302				
013-200005-00	Y-DELAY LINE YBL50F18X				
	DLY301				
101-191009-96	HORIZONTAL DRIVE TRANSFORMER (R1009)				
	T401				
101-288820-95	LINE FILTER 70MH				
	L901				
101-414025-94	SWITCHING POWER TRANSFORMER (HL4025B)				
	T901				
102-370600-02	TANK COIL / AFC COIL COILS 707851				
	T103.101				
102-670100-02	SOUND IF COILS 707532				
	T102				
102-770200-02	SECAM COLOR PAL DELAY LINE MATCHING COILS 707850				
	T301				
105-100101-02	FIXED INDUCTIVE COIL 10UH +-10%				
	L301.105				
105-109101-02	FIXED INDUCTIVE COIL 1.0 UH 10%				
	L102.109				
105-150101-02	FIXED INDUCTIVE COIL 15UH 10%				
	L401.104				
105-180101-02	FIXED INDUCTIVE COIL 18 UH +-10%				
	L302				
105-201106-02	CHCKE COIL 200UH 10% CH9012- 201K (ELEC PRODUCT)				
	L903				
105-270101-05	FIXED INDUCTIVE COIL 27UH				
	L601				

Component Part	Description / Location	Unit	Subs	Quantity Required	Unit Price	Am
105-331101-02	FIXED INDUCTIVE COIL 330UH L501	PC	0	1.00000	0.0459	0.04
105-650052-01	LINEARITY COIL 34UH FOR 21" L402					
105-828103-02	FIXED INDUCTIVE COIL 0.82UH L101					
107-808000-66	RESONATOR 8MHZ X601					
113-101105-17	CARBON FILM RESISTOR 100 OHM R314.316.318.438					
113-101205-17	CARBON FILM RESISTOR 100 OHM R649					
113-102105-17	CARBON FILM RESISTOR 1K OHM R140.134.114.432.669.326					
113-102305-75	METAL OXIDE FILM RESISTOR 1K OHM 1W +-5% R411					
113-103105-17	CARBON FILM RESISTOR 10K OHM R418.908.349.204.650.320.309.129.130.128					
113-103105-17	CARBON FILM RESISTOR 10K OHM R104.120.118.640.321.617.122.668.109.110.623					
113-104105-17	CARBON FILM RESISTOR 100K OHM R422.429.642.634.119.CF103					
113-104205-12	CARBON FILM RESISTOR 100K OHM 1/2W +-5% R923					
113-104305-75	METAL OXIDE FILM RESISTOR 100KOHM 1W +-5% R921					
113-109205-12	CARBON FILM RESISTOR 1 OHM R410					
113-120305-75	METAL OXIDE FILM RESISTOR 12 OHM 1W +-5% R911					
113-120405-75	METAL OXIDE FILM RESISTOR 12 OHM 2W +-5% R920					
113-121105-17	CARBON FILM RESISTOR 120 OHM R648					
113-122105-17	CARBON FILM RESISTOR 1.2K OHM R407.106.303					
113-123105-17	CARBON FILM RESISTOR 12K OHM R436.441					
113-151105-17	CARBON FILM RESISTOR 150 OHM R307.116					
113-152105-17	CARBON FILM RESISTOR 1.5K OHM R419.310.638					
113-153105-17	CARBON FILM RESISTOR 15K OHM R302.622.151					
113-153405-75	METAL OXIDE FILM RESISTOR 15K OHM 2W +-5% R510.511.505					
113-182105-17	CARBON FILM RESISTOR 1.8K OHM R907.312.126.304					
113-183105-17	CARBON FILM RESISTOR 18K OHM R657.313.305					

Component Part	Description / Location	Unit	Subs	Quantity Required	Unit Price	Am
113-184105-17	CARBON FILM RESISTOR 180K OHM 1/4W +-5% R618	PC	0	1.00000	0.0028	0.00
113-202605-75	METAL OXIDE FILM RESISTOR 2K OHM 5W +-5% R413					
113-203105-17	CARBON FILM RESISTOR 20K OHM 1/4W +-5% R325					
113-221105-17	CARBON FILM RESISTOR 220 OHM 1/4W +-5% R423.117.666					
113-221205-12	CARBON FILM RESISTOR 220 OHM 1/2W +-5% R406					
113-222105-17	CARBON FILM RESISTOR 2.2K OHM 1/4W +-5% R206.513.509.507.514.515.516					
113-222205-12	CARBON FILM RESISTOR 2.2K OHM 1/2W +-5% R405					
113-223105-17	CARBON FILM RESISTOR 22K OHM 1/4W +-5% R435.426.137					
113-224105-17	CARBON FILM RESISTOR 220K OHM 1/4W +-5% R207.408.107					
113-229105-17	CARBON FILM RESISTOR 2.2 OHM 1/4W +-5% R208.404.433					
113-229405-75	METAL OXIDE FILM RESISTOR 2.2 OHM 2W +-5% R902.201					
113-270105-17	CARBON FILM RESISTOR 27 OHM 1/4W +-5% R115					
113-270405-75	METAL OXIDE FILM RESISTOR 27 OHM 2W +-5% R912.414.442					
113-272105-17	CARBON FILM RESISTOR 2.7K OHM 1/4W +-5% R319.317.315.426					
113-272205-12	CARBON FILM RESISTOR 2.7K OHM 1/2W +-5% R922.412.503.502.504					
113-273105-17	CARBON FILM RESISTOR 27K OHM 1/4W +-5% R425.138					
113-274105-17	CARBON FILM RESISTOR 270K OHM 1/4W +-5% R619					
113-274205-12	CARBON FILM RESISTOR 270K OHM 1/2W +-5% R415					
113-303105-17	CARBON FILM RESISTOR 30K OHM 1/4W +-5% R123					
113-331105-17	CARBON FILM RESISTOR 330 OHM 1/4W +-5% R905					
113-332105-17	CARBON FILM RESISTOR 3.3K OHM 1/4W +-5% R904.205.403.301					
113-333105-17	CARBON FILM RESISTOR 33K OHM 1/4W +-5% R670.660.676					
113-334105-17	CARBON FILM RESISTOR 330K OHM 1/4W +-5% R658.401					
113-334305-75	METAL OXIDE FILM RESISTOR 330KOHM 1W +-5% R913					
113-338405-75	METAL OXIDE FILM RESISTOR 0.330OHM 2W +-5% R914					

Component Part	Description / Location	Unit	Subs	Quantity Required	Unit Price	Am
113-390605-75	METAL OXIDE FILM RESISTOR 39 OHM 5W +-5% R915	PC	0	1.00000	0.1154	0.11
113-391105-17	CARBON FILM RESISTOR 390 OHM 1/4W +-5% R506.508					
113-393105-17	CARBON FILM RESISTOR 39K OHM 1/4W +-5% R606					
113-471105-17	CARBON FILM RESISTOR 470 OHM 1/4W +-5% R654.127.125					
113-472105-17	CARBON FILM RESISTOR 4.7K OHM 1/4W +-5% R910.602.603.601.427.139.672.673.674.653					
113-472105-17	CARBON FILM RESISTOR 4.7K OHM 1/4W +-5% R607.605.664.663.662.604					
113-473105-17	CARBON FILM RESISTOR 47K OHM 1/4W +-5% R612					
113-475105-17	CARBON FILM RESISTOR 4.7M OHM 1/4W +-5% R322.323.324					
113-479105-17	CARBON FILM RESISTOR 4.7 OHM 1/4W +-5% R160					
113-479605-51	WIRE WOUND CEMENT RES. 4.7 OHMSW +-5% R901					
113-511105-17	CARBON FILM RESISTOR 510 OHM 1/4W +-5% R512					
113-514105-17	CARBON FILM RESISTOR 510K 1/4W+-5% R420					
113-561105-17	CARBON FILM RESISTOR 560 OHM 1/4W +-5% R431					
113-562105-17	CARBON FILM RESISTOR 5.6K OHM 1/4W +-5% R203.202.421.105.101.102.103.665.113					
113-563105-17	CARBON FILM RESISTOR 56K OHM 1/4W +-5% R156.136.671.635					
113-565205-92	CARBON COMPOSITION RESISTOR 5.6M 1/2W +-5% R916.917					
113-681105-17	CARBON FILM RESISTOR 680 OHM 1/4W +-5% R402.124					
113-682105-17	CARBON FILM RESISTOR 6.8K OHM 1/4W +-5% R909.903.153					
113-683105-17	CARBON FILM RESISTOR 68K OHM 1/4W +-5% R409					
113-688205-42	FUSING RESISTOR 0.68 OHM 1/2W +-5% R918.919					
113-688305-42	FUSING RESISTOR 0.68 OHM 1W +-5% R417.416.501					
113-820105-17	CARBON FILM RESISTOR 82 OHM 1/4W +-5% R112					
113-821105-17	CARBON FILM RESISTOR 820 OHM 1/4W +-5% R639.610.609					
113-822105-17	CARBON FILM RESISTOR 8.2K OHM 1/4W +-5% R906					
113-822505-75	METAL OXIDE FILM RESISTOR 8.2KOHM 3W +-5% R132					

Component Part	Description / Location	Unit	Sube	Quantity Required	Unit Price	Am
114-210200-01	THERMISTOR (NICHICON ZF853 BL 200C) TH901	PC	0	1.00000	0.4558	0.45
123-100340-60	CERAMIC CAP. 10PF +-5% 50V (SL TYPE) C612					
123-101350-60	CERAMIC CAP. 100 PF 50V +-10% (SL TYPE) C605					
123-102850-10	CERAMIC CAP. 0.001 MFD 2KV +-10% MATSUSHITA C501					
123-103370-90	CERAMIC CAP. 0.01 MFD 50V +80 -20% C402.304.125.122.118.115.116					
123-122551-90	CERAMIC CAP. 0.0012 MFD 500V +-10% (B TYPE) MATSUSHITA C433					
123-150340-93	CERAMIC CAP. 15 PF 50V +-5% (NPO) C609.610.319					
123-152850-10	CERAMIC CAP. 0.0015 MFD 2KV +-10% MATSUSHITA C437					
123-181350-60	CERAMIC CAP. 180 PF 50V +-10% (SL TYPE) C431.438					
123-221350-60	CERAMIC CAP. 220 PF 50V +-10% (SL TYPE) C427.103.503					
123-221551-90	CERAMIC CAP. 220 PF 500V +-10% MATSUSHITA C915					
123-222350-90	CERAMIC CAP. 0.0022 MFD 50V +-10% (B TYPE) C601.R676					
123-222466-41	CERAMIC CAP. 0.0022 MFD 400V +-20% ECK-DNS222MEX MATSU C912					
123-222850-10	CERAMIC CAP. 0.0022 MFD 2KV +-10% MATSUSHITA C911					
123-223370-90	CERAMIC CAP. 0.022 MFD 50V +80-20% C626.627.628					
123-300340-93	CERAMIC CAP. 30 PF 50V +-5% (NPO) C602.603					
123-331350-60	CERAMIC CAP. 330 PF 50V +-10% (SL TYPE) C502.504					
123-390340-93	CERAMIC CAP. 39PF 50V +-5% (NPO) C604					
123-470340-60	CERAMIC CAP. 47 PF 50V +-5% (SL TYPE) C123					
123-471350-60	CERAMIC CAP. 470 PF 50V +-10% (SL TYPE) C126					
123-472552-90	CERAMIC CAP. 0.0047 MFD 500V +-10% (B TYPE) SMALL SIZE C903.904.907.419.424.913					
123-680340-93	CERAMIC CAP. 68 PF 50V +-5% (NPO) C303					
123-821850-10	CERAMIC CAP. 820 PF 2KV +-10% (SL TYPE) MATSUSHITA C914					
124-224061-03	TANTALIUM CAP. 0.22 MFD 35V +-10% C413					
126-102071-01	MYLAR CAP. 0.001 MFD 50V +-10% C428					

Component Part	Description / Location	Unit	Subs	Quantity Required	Unit Price	A
126-103071-01	MYLAR CAP. 0.01 MFD 50V +-10% C403.121	PC	0	2 00000	0 0100	0 0
126-104071-01	MYLAR CAP. 0.1 MFD 50V +-10% C908.205.208.411.317.318.407.429.306.307.108.106					
126-104071-01	MYLAR CAP. 0.1 MFD 50V +-10% C313.314.606					
126-104101-31	POLYPROPYLENE CAP. 0.1 MFD 100V +-10% C440					
126-153071-01	MYLAR CAP. 0.015 MFD 50V +-10% C422					
126-222071-01	MYLAR CAP. 0.0022 MFD 50V +-10% C204.421.621					
126-223071-01	MYLAR CAP. 0.022 MFD 50V +-10% C207.409.425					
126-224071-01	MYLAR CAP 0.22 MFD 50V +-10% C104					
126-332071-01	MYLAR CAP. 0.0033 MFD 50V +-10% C316					
126-332161-41	METALIZED POLYPROPYLENE CAP. 0.0033 MFD 1600V +-10% C435.436					
126-333071-01	MYLAR CAP. 0.033 MFD 50V +-10% C906.124					
126-334071-01	MYLAR CAP. 0.33 MFD 50V +-10% C403					
126-392071-01	MYLAR CAP. 0.0039 MFD 50V +-10% C426					
126-473071-01	MYLAR CAP. 0.047 MFD 50V +-10% C315					
126-473211-41	METALLIZED POLYPROPYLENE CAP 0.047 MFD 250V +-10% VDE C902					
126-474071-01	MYLAR CAP. 0.47 MFD 50V +-10% C430					
126-474201-31	POLYPROPYLENE CAP 0.47 MFD 200V +-10% C414					
126-474211-41	METALLIZED POLYPROPYLENE CAP 0.47 MFD 250V +-10% VDE C901					
126-563071-01	MYLAR CAP. 0.056 MFD 50V +-10% C128					
127-105072-03	ELECT. CAP. 1 MFD 50V +-20% C210.423.611.112					
127-105132-03	ELECT. CAP. 1 MFD 160V +-20% C415.320					
127-106042-03	ELECT. CAP. 10 MFD 16V +-20% C619.110.309.312.308.624.616					
127-106072-03	ELECT. CAP. 10 MFD 50V +-20% C201					
127-106102-03	ELECT CAP. 10MFD 100V +-20% NICHICON C910					
127-107042-03	ELECT. CAP. 100 MFD 16V +-20% C408.119					

Component Part	Description / Location	Unit	Subs	Quantity Required	Unit Price	Am
127-107062-03	ELECT. CAP. 100 MFD 35V +-20% C202	PC	0	1.00000	0.0510	0.05
127-107132-03	ELECT. CAP. 100 MFD 160V +-20% C434					
127-107402-03	ELECT. CAP. 100 MFD 400V +-20% C915					
127-106052-03	ELECT. CAP. 1000 MFD 25V +-20% C211					
127-225072-03	ELECT. CAP 2.2 MFD 50V +-20% C129,620,109					
127-226042-03	ELECT. CAP. 22 MFD 16V +-20% C321,132,617					
127-227042-03	ELECT. CAP. 220 MFD 16V +-20% C622,625					
127-227062-03	ELECT. CAP. 220 MFD 35V +-20% C916,416					
127-228042-03	ELECT. CAP. 2200 MFD 16V +-20% C412					
127-228052-03	ELECT. CAP. 2200 MFD 25V +-20% C417					
127-336132-03	ELECT CAP. 33 MFD 160V +-20% C918					
127-336252-03	ELECT CAP. 33 MFD 250V +-20% C420					
127-474072-03	ELECT. CAP. 0.47 MFD 50V +-20% C206,203					
127-475052-03	ELECT. CAP. 4.7 MFD 25V +-20% C305,107,111,113,117,618,410					
127-476042-03	ELECT. CAP. 47 MFD 16V +-20% C401					
127-476072-03	ELECT. CAP. 47 MFD 50V +-20% C406					
127-476072-07	ELECT.CAP. 47 MFD 50V +-20% NICHICON C909					
127-477042-03	ELECT. CAP. 470 MFD 16V +-20% C209,160,432					
130-134148-01	SILICON DIODE IN4148 D501,502,503,608,606,301,303,612					
130-134148-01	SILICON DIODE IN4148 D101,103,102,604,302,408					
130-310012-00	RECTIFIER DIODE RUZ SANKEN D404					
130-311441-64	BRIDGE RECTIFIER 1J4B41 TOSHIBA BR901					
130-311541-60	RECTIFIER DOIDE 1R5JU41 D904					
130-314004-00	RECTIFIER DIODEN IN4004 D401,402					
130-315295-00	RECTIFIER DIODE S5295G TOSHIBA D903,901,902,905,405,403,407					

Component Part	Description / Location	Unit	Subs	Quantity Required	Unit Price	Am
130-410039-01	ZENER DIODE 3.9V ZD101	PC	0	1.00000	0.0350	0.07
130-410051-01	ZENER DIODE 5.1V 1/2W +-5% ZD601					
130-410056-01	ZENER DIODE 5.6V ZD604					
130-410082-01	ZENER DIODE 8.2V ZD901					
130-410100-01	ZENER DIODE 10V 1/2W ZD401					
130-410100-01	ZENER DIODE 10V 1/2W ZD403					
130-410574-00	ZENER DIODE UPC 574J NEC OR ZD102					
130-411091-01	ZENER DIODE 9.1V ZD902.405.402					
130-422120-00	ZENER DIODE 1W 12V ZD404					
130-512044-00	LED 3MM RED 204HDC LED601					
131-200415-00	TRANSISTOR BUH415DXI Q403					
131-211013-18	TRANSISTOR ZSA1013 (R) TOSHIBA Q906					
131-211015-00	TRANSISTOR ZSA1015 TOSHIBA Q101.102.103.610					
131-220774-20	TRANSISTOR ZSB774/Q/R/S Q907					
131-230389-00	TRANSISTOR ZSC388A TOSHIBA Q104					
131-230945-00	TRANSISTOR ZSC945 NEC Q106.604.504.505.506.105					
131-231317-00	TRANSISTOR ZSC1317 MATSUSHITA Q603					
131-231815-25	TRANSISTOR ZSC1815 TOSHIBA Q903.901.609.107.108					
131-232230-00	TRANSISTOR ZSC2230A-Y TOSHIBA Q608					
131-232335-30	TRANSISTOR ZSC2335 L/K NEC Q905					
131-232482-00	TRANSISTOR ZSC2482 TOSHIBA Q402.501.502.503					
131-240400-00	TRANSISTOR ZSD400E/F SANYO Q201.401					
131-241431-00	TRANSISTOR ZSD1431 TOSHIBA Q904					
133-108213-31	IC TDA8213 SGS IC101					
133-108217-31	IC TDA8217 SGS IC301					

WITH MICA SHEET (24MM X 3)



Component Part	Description / Location	Unit	Subs	Quantity Required	Unit Price	Am
133-201013-33	I.C. TDA1013B PHILIPS IC201	PC	0	1.00000	0.5962	0.59
133-208214-31	IC TDA8214B SGS IC401					
133-306356-31	IC ST6356 SGS IC601					
136-500001-00	REMOTE RECEIVER (KODENSHI OPT601					
137-443616-20	CRYSTAL 4.43 MHZ X301					
146-100001-14	POWER SWITCH (ESB-999575 COST COST REDUCTION) S602					
146-100002-13	TACT SWITCH KSM0634A HDK S607.608.609.610.612.603.604.605.606.601					
160-101001-08	PIN CONNECTOR 1 PIN PLUG STRAIGHT CN501					
160-102805-08	PIN CONNECTOR 2 PIN PLUG STRAIGHT CN902					
160-104805-08	PIN CONNECTOR 4 PIN PLUG STRAIGHT CN401					
160-109255-27	PIN CONNECTOR 9 PINS PLUG CN301					
161-540105-00	CRT SOCKET ISL-01 IN CHANG FOR CRT P.C.B.					
172-120034-40	UL 1007 STANDARD WIRE AWG 20 340MM BLACK 10 X 10MM CN402 '2' TO CRT P.C.B. 'L'					
172-522032-42	UL 1672 DOUBLE INSULATION WIRE#22 320MM RED 10 X 10MM MAIN P.C.B. 'F' TO 'F'					
172-522034-46	UL 1672 DOUBLE INSULATION WIRE#22 340MM BLUE 10 X 10MM MAIN P.C.B. 'G' TO 'G'					
172-620014-40	UL 1007 TOP COAT WIRE AWG 20 140MM BLACK 10 X 10 MM MAIN P.C.B. 'D' TO 'D'					
172-626004-40	UL 1007 TOP COAT WIRE AWG 26 40MM BLACK 5 X 5 MM JUMPER WIRE W184 TO CF103					
172-626008-40	UL 1007 TOP COAT WIRE AWG 26 60MM BLACK 10 X 10 MM Q904 LUG TO MAIN PCB 'I'. MAIN PCB 'C' TO 'C'					
172-626008-40	UL 1007 TOP COAT WIRE AWG 26 60MM BLACK 10 X 10 MM L109 TO Q108 CONNECTOR					
172-626010-40	UL 1007 TOP COAT WIRE AWG 26 100MM BLACK 10 X 10 MM Q403 LUG TO MAIN PCB 'E'					
172-626014-43	UL 1007 TOP COAT WIRE AWG 26 140MM ORANGE 10 X 10 MM MAIN P.C.B. 'A' TO 'A'					
172-626018-43	UL 1007 TOP COAT WIRE AWG 26 180MM ORANGE 10 X 10 MM MAIN P.C.B. 'B' TO 'B', 'K' TO 'K'					
172-626030-42	UL 1007 TOP COAT WIRE AWG 26 300MM RED CN402 '1' TO CRT P.C.B. 'K'					
172-626036-43	UL 1007 TOP COAT WIRE AWG 26 360MM ORANGE 10 X 10MM CN402 '3' TO CRT P.C.B. 'J'					
172-726000-99	BARE WIRE 54MM W096-097.101-102.105-114.116.118-148.151-152.R148					

Component Part	Description / Location	Unit	Subs	Quantity Required	Unit Price	Am
172-726000-99	BARE WIRE 54MM W154-157,159-171,174-166,169,191-201,203-204	M	0	0.00000	0.0092	0.00
172-726000-99	BARE WIRE 54MM W206-208,215-216,218,502,503,100					
172-830080-99	FLAT BRIDED WIRE 1200MM FOR CRT GND					
179-001010-00	GIL SLEEVING 1 MM DIA. FOR BR901,0904,404, FOR C440,C209					
179-105000-00	UL PVC TUBE 5MM DIA 60MM FOR AC LINE CORD					
182-222000-03	FUSE T2A 250V F901					
190-881309-00	CRT P.C.B.					
190-931301-07	SENSOR P.C.B. (191194)					
190-93131L-XB	MAIN P.C.B. (300695)					
191-100030-09	1 PIN SOCKET ASSM'Y L=300MM FOR CN501					
191-901000-07	9 PIN SOCKET ASS'Y L=360MM CN301 TO CRT PCB '1' TO 'A', '2' TO 'B', '3' TO 'C'					
191-901000-07	9 PIN SOCKET ASS'Y L=360MM '4' TO 'D', '5' TO 'E', '6' TO 'F', '7' TO 'G'					
191-901000-07	9 PIN SOCKET ASS'Y L=360MM '8' TO 'H', '9' TO 'I'					
517-303312-10	SELF-TAPPING SCREW 3 X 12 W/A W/H=7MM (HARDEN) FOR HEAT SINK (A) & (B)					
540-025040-01	BRASS EYELET 2.5X4MM 2 FOR AC LINE CORD, 4 FOR WIRE, 3 FOR CN402					
580-101261-01	CABLE TIE L=100MM 4- CRT PCB, '2'- FLYBACK, 2- CN301, 1- CN401, 1- CN402					
746-063101-00	TEST PIN: TOTAL LENGTH 18.6MM THK: 0.8MM TP103,104					
750-063101-00	SOLDERING LUG LEG: 8X4MM FOR HEAT SINK (A) & (B)					
766-686801-00	FUSE HOLDER FOR F901					
780-931301-00	BRASS HEAT SINK FOR IC401					
781-882001-02	ALUMINIUM HEAT SINK (B) FOR Q403					
781-882102-02	ALUMINIUM HEAT SINK (A) FOR Q904					
783-931301-00	SHIELD CAN					
783-931302-02	SHIELD CAN COVER					
840-051030-11	RUBBER PAD (ONE SIDE W/TAPE)					
840-051520-11	RUBBER PAD (ONE SIDE W/TAPE)					
929-931301-00	LED HOLDER BLACK ABS FOR LED 601					

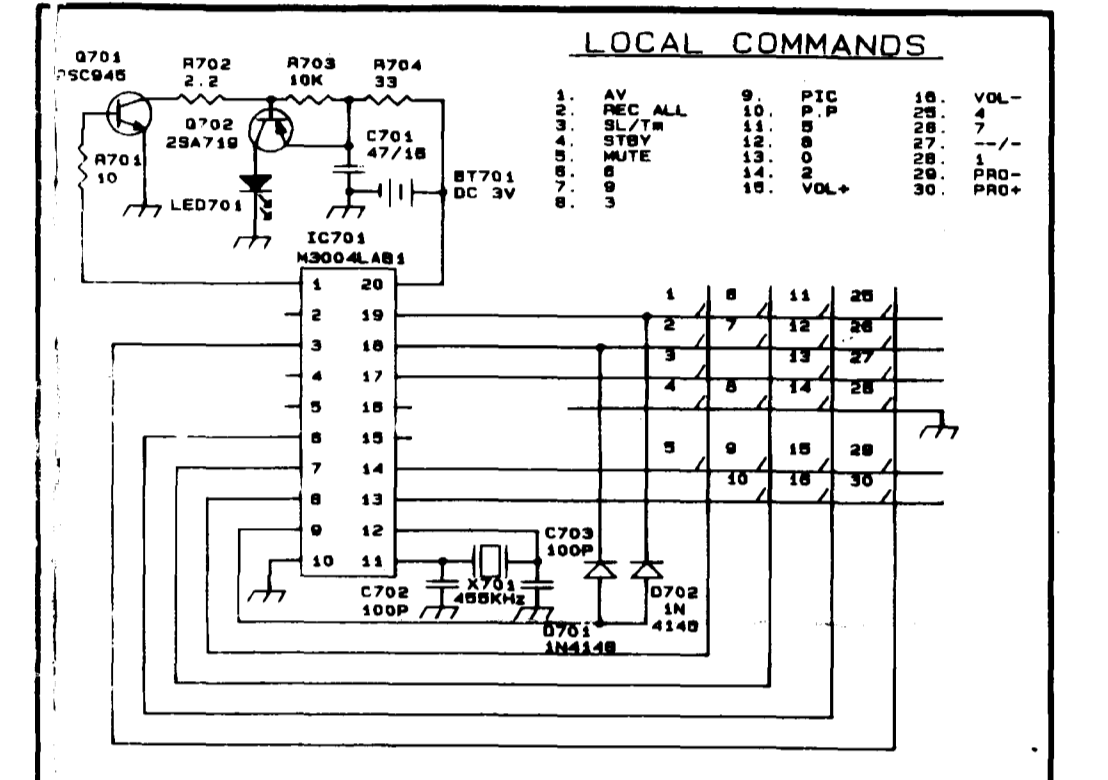
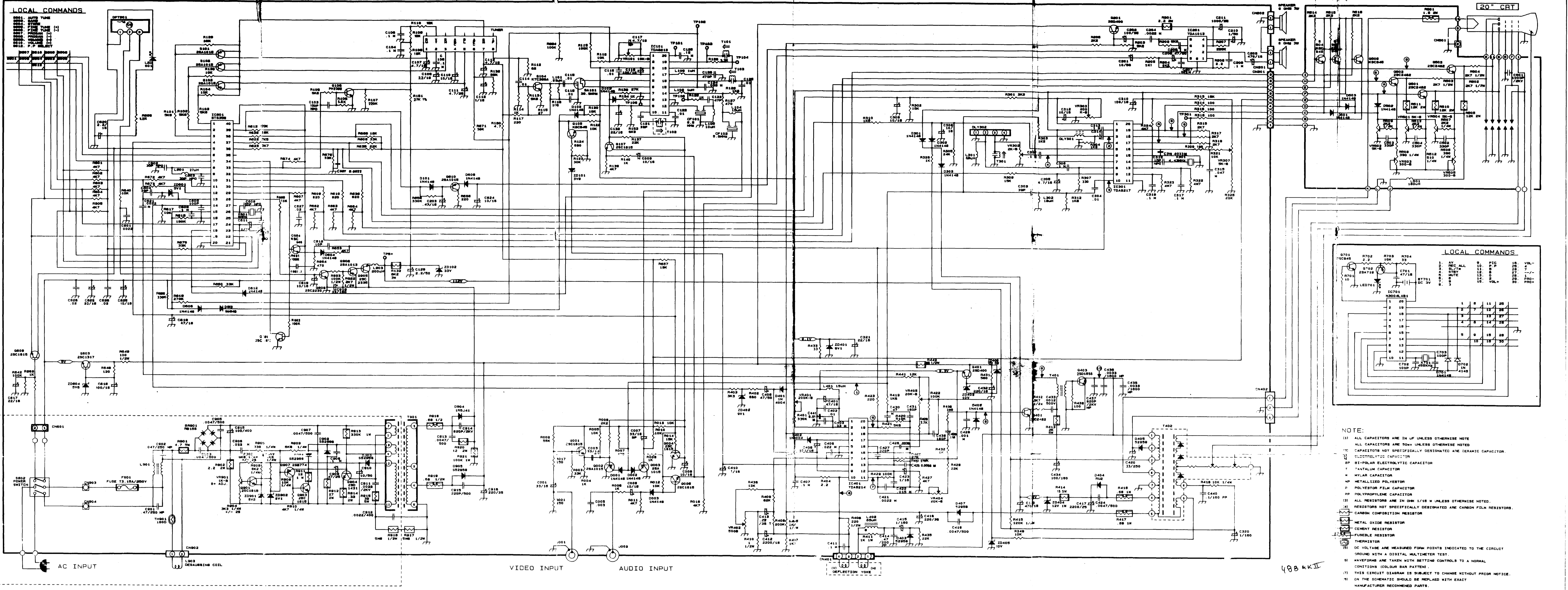
Component Part	Description / Location	Unit	Subs	Quantity Required	Unit Price	Am
*** ASSEMBLY : 158-931374-I0-02 NON-COM PART FOR CHASSIS ASS'Y (BG)1-SPK						
003-131424-02	TUNER OSCAR UVE33-W24/R16-3649MITSUBI TUNER					
107-105500-66	SOUND TRAP CERAMIC FILTER 5.5MHZ TPS-5.5MB HURATA CF102					
107-305500-16	SOUND BYPASS CERAMIC FILTER 5.5MHZ SPE-5.5MB HURATA CF101					
107-738900-07	SAW FILTER TOSHIBA (F1044PS) SA101					
113-102105-17	CARBON FILM RESISTOR 1K OHM 1/4W +-5% R004.006.009					
113-103105-17	CARBON FILM RESISTOR 10K OHM 1/4W +-5% R005.013.010.012.108					
113-151105-17	CARBON FILM RESISTOR 150 OHM 1/4W +-5% R017.001					
113-153105-17	CARBON FILM RESISTOR 15K OHM 1/4W +-5% R014					
113-222105-17	CARBON FILM RESISTOR 2.2K OHM 1/4W +-5% R006					
113-333105-17	CARBON FILM RESISTOR 33K OHM 1/4W +-5% R003					
113-471105-17	CARBON FILM RESISTOR 470 OHM 1/4W +-5% R007					
113-472105-17	CARBON FILM RESISTOR 4.7K OHM 1/4W +-5% R016.011					
113-563105-17	CARBON FILM RESISTOR 56K OHM 1/4W +-5% R002					
123-103370-90	CERAMIC CAP. 0.01 MFD 50V +80 -20% C114					
123-302350-90	CERAMIC CAP. 0.003 MFD 50V +-10% (B TYPE) C005					
127-106042-03	ELECT. CAP. 10 MFD 16V +-20% C006.008.009					
127-336042-03	ELECT. CAP. 33 MFD 16V +-20% C001					
127-336042-23	ELECT. CAP. BIPOLAR 33 MFD 16V+-20% C003.007					
130-134148-01	SILICON DIODE IN4148 D001.002.003					
131-211015-00	TRANSISTOR 2SA1015 TOSHIBA Q002.003					
131-231815-25	TRANSISTOR 2SC1815 TOSHIBA Q001.004.005					
161-470002-00	RCA JACK HYJ-032-03B BLACK "MING FUNG" J002					
161-470003-00	RCA JACK HYJ-032-03Y YELLOW "MING FUNG" J001					
171-550084-02	84" AC LINE CORD (END-CUT)SAA APPW/7.5A PLUG.					
172-726000-99	BARE WIRE 54MM W104					

Component Part	Description / Location	Unit Subs	Quantity Required	Unit Price	Am
*** ASSEMBLY : 159-931374-I0-00 COMMON PART FOR CASING ASS'Y (BG)					
008-550151-05	DEGAUSSING COIL 40T L903				
514-400425-10	SELF-TAPPING SCREW 4 X 25 B/T (HARDEN) REAR CAB. TO FRONT CAB.				
514-500435-10	SELF-TAPPING SCREW B/T 5 X 35 HEAD DIA. =8.5MM (MAX)(HAF 4-FOR CRT MTG				
622-882802-00	FELT L240 X W17 X TO.5MM FOR REAR CABINET				
728-931302-00	SENSOR P.C.B. SUPPORT FOR SENSOR PCB				
744-881301-00	SPRING FOR C.R.T. MOUNTING 5.2 X 42 X 0.6MM				
777-881301-00	SPRING IN 10 X L12 FOR POWER KNOB				
834-230802-00	RUBBER WASHER OD=23. ID=8. T=2 FOR CRT MTG.				
840-011024-21	PAD CORD L240 X W10 X T1 MM BETWEEN CRT AND CRT SURFACE				
939-881302-00	POWER SWITCH ADAPTOR				
948-881302-00	DEGAUSSING COIL MTG. CLIP FOR POWER SW.				
954-931301-00	STUD POST BLACK ABS FOR FRONT CAB.				

Component Part	Description / Location	Unit Subs	Quantity Required	Unit Price	Am
*** ASSEMBLY : 159-931374-10-03 NON-COM PART FOR CASING ASS'Y(426U GREY)					
002-114022-40	14" CRT #375X110Y22-DC05A S/H CAI HONG				
160-102255-27	PIN CONNECTOR 2 PINS PLUG STRAIGHT (UL) CN202				
162-110010-00	ANTENNA MATCHING TRANSFORMER (300 OHM TO 75 OHM)				
166-162030-00	SPEAKER 3" 2W 16 OHM "TCL"				
172-726000-99	BARE WIRE 54MM W156				
179-105000-00	UL PVC TUBE 5MM DIA 260MM FOR CN202				
186-227503-14	BATTERY 3A PACKING IN GIFT BOX				
191-200044-09	2 PIN SOCKET ASSM'Y L=440MM CN202 '1' TO SPK '+', '2' TO SPK '-'				
191-400042-07	4 PINS SOCKET ASS'Y AWG 20 420MM				
515-305408-10	SELF-TAPPING SCREW 3 X 8 W/B/T (HARDEN) FOR FRONT CAB. TO FRONT PANEL				
669-881301-06	RATING LABEL - TEAC DESIGN 240V				
782-721952-04	DOUBLE ROD ANTENNA 520MM				
884-881303-01	VIDEO JACK PLATE - W/ WHITE SS				
884-931314-02	PRESET PLATE - TEAC DESIGN				
889-931302-00	COVER PLATE (PAL)				
889-931304-00	COVER PLATE FOR REAR CAB.				
900-931301-03	FRONT CABINET (A) - GREY(426U)				
902-931301-01	BACK CABINET - MATT BLACK SPRAY				
917-931301-00	REMOTE LENS (A-A) TRANSLUCENT RED				
919-931302-14	PRESET DOOR - TEAC DESIGN <i>doesn't exist</i>				
930-931302-05	FRONT PANEL (A-B) (PAL) ABS GREY (426U) W/GOLD & SILVE				
986-931301-06	NAME PLATE - TEAC DESIGN				
991-931301-01	POWER KNOB (A-A) MOULDED BLACKABS				

Component Part	Description / Location	Unit Subs	Quantity Required	Unit Price	Am
*** ASSEMBLY : 163-931374-10-03 NON-COM PART FOR PACKING ASS'Y (BG)					
610-931301-37	GIFT BOX - TEAC DESIGN				
663-230415-95	SERIAL NO.LABEL - OC:GT-415/95				
663-230450-95	SERIAL NO.LABEL - OC:GT-450/95				
	IPC STUCK ON CTN . IPC STUCK ON RATING LABEL				
670-931300-68	I/MANUAL - TEAC DESIGN (47 PROG.)				
678-881303-06	TOTAL CARE STICKER - TEAC DESIGN (BLK & WHITE)				
678-922109-01	EASY TUNE CARD - TEAC DESIGN				
678-931306-04	SCREEN STICKER - TEAC DESIGN				
690-922139-01	WARRANTY CARD- TEAC (A) DESIGN				
693-931301-04	EAN CODE LABEL - 9313060005825				
800-931305-00	POLYFOAM (1)				
800-931306-00	POLYFOAM (2)				
800-931307-00	POLYFORM (3)				
800-931308-00	POLYFOAM (4)				
810-040904-13	POLYBAG 4" X 9" X 0.04MM W/ RE-CYCLING MARK FOR HANDSET				
810-052204-14	POLYBAG 5" X 22" X 0.04MM PO MAT W/RE-CYCLING MARK FOR AC LINE CORD				
810-091504-13	POLYBAG 9" X 15" X 0.04MM W/ RE-CYCLING MARK FOR INSTRUCTION MANUAL				
810-303004-14	POLYBAG 30"X30"X0.04MM W/PUNCHHOLE/RE-CYCLING MARK(P/D F FOR UNIT				
826-221505-00	FOAM SHEET 22" X 15" X 0.5MM FOR UNIT				

NO PRICE ITEM : 1  
 \*\*\* END OF REPORT \*\*\*



NOTE:

- ALL CAPACITORS ARE 1% UNLESS OTHERWISE NOTED
- ALL CAPACITORS ARE 50V UNLESS OTHERWISE NOTED
- CAPACITORS NOT SPECIFICALLY DESIGNATED ARE CERAMIC CAPACITORS
- ELECTROLYTIC CAPACITOR
- BI-POLAR ELECTROLYTIC CAPACITOR
- TANTALUM CAPACITOR
- MYLAR CAPACITOR
- METALLIZED POLYESTER
- POLYESTER FILM CAPACITOR
- POLYPROPYLENE CAPACITOR
- ALL RESISTORS ARE 1% UNLESS OTHERWISE NOTED
- RESISTORS NOT SPECIFICALLY DESIGNATED ARE CARBON FILM RESISTORS
- CARBON COMPOSITION RESISTOR
- METAL OXIDE RESISTOR
- CEMENT RESISTOR
- FUSIBLE RESISTOR
- DC VOLTAGE ARE MEASURED FROM POINTS INDICATED TO THE CIRCUIT GROUND WITH A DIGITAL MULTIMETER TEST.
- WAVEFORMS ARE TAKEN WITH SETTING CONTROLS TO A NORMAL CONDITIONS (COLOUR BAR PATTERN).
- ON THE SCHEMATIC SHOULD BE REPLACED WITH EXACT MANUFACTURER RECOMMENDED PARTS.

